

AveoAir™ Ball Vents

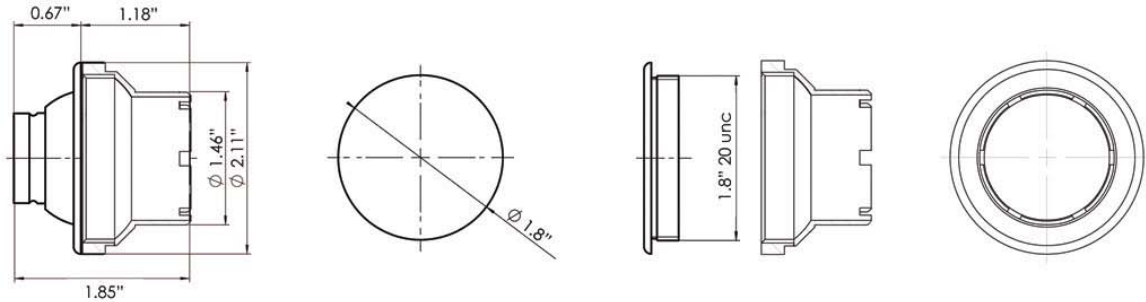
AveoAir™ Ball Vents are lightweight with sturdy machined-aluminum alloy construction, anodized in your choice of 5 finishes.

Very simple installation with 2-piece threaded construction, eliminating the need to drill for screws -- threads on to hold securely.

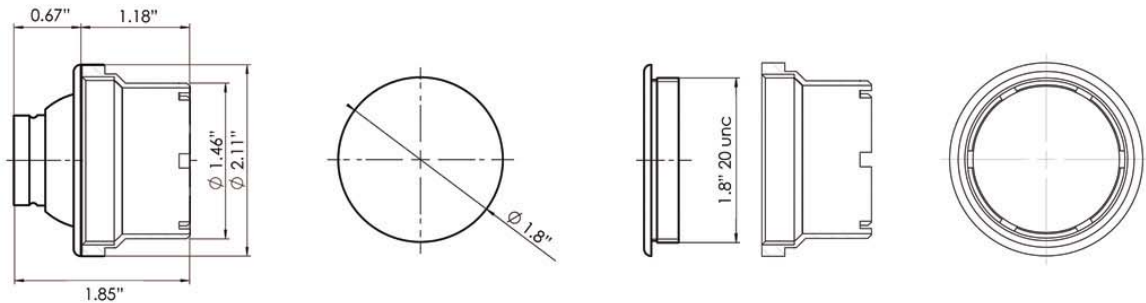
Only AVEO ball vents come with a **choice of three rear SCAT tube coupler diameters, either 1.5", 1.75" or 2.0" diameters for the three most popular sizes of SCAT tubing.**



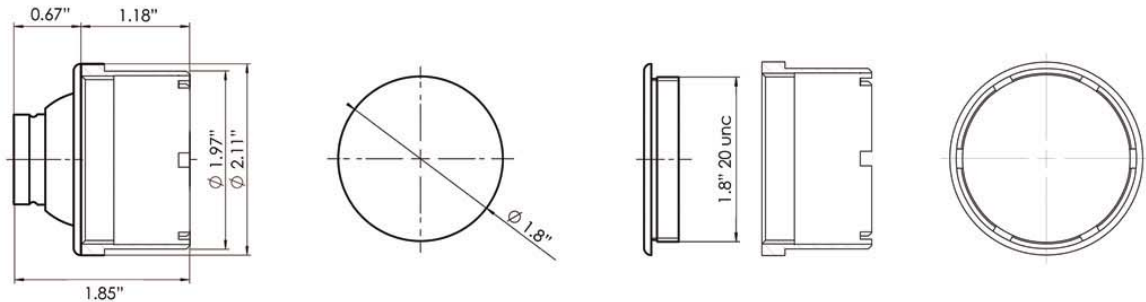
1 1/2"



1 3/4"



2"



Available Colors

Black



Silver



Gold



Green



Blue

