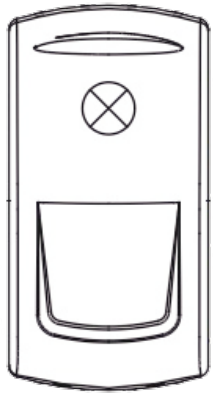
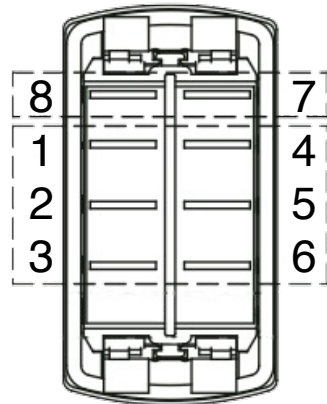


TOP



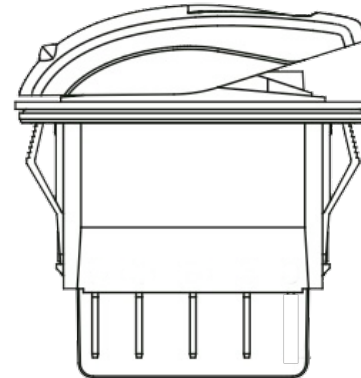
BOTTOM



LED Area

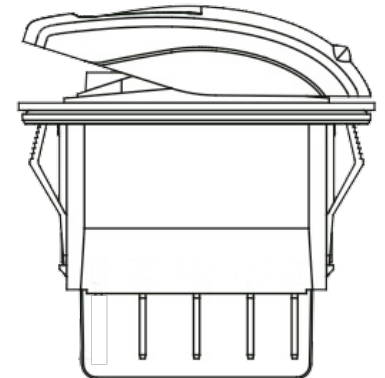
Contact Area

LEFT



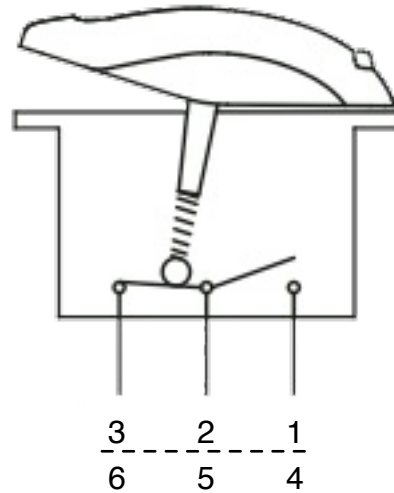
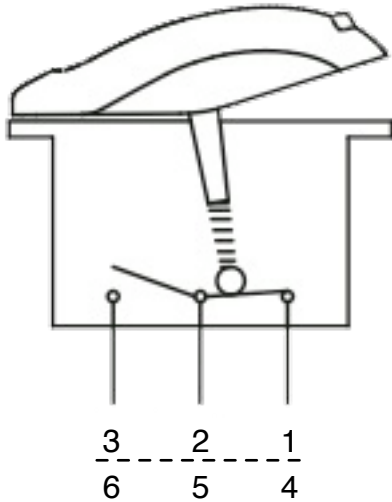
7 4 5 6

RIGHT

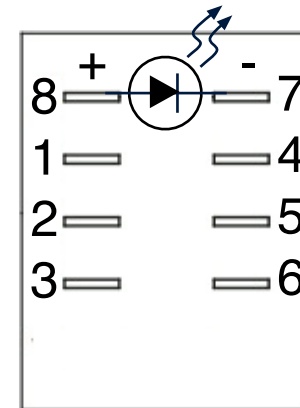


3 2 1 8

SWITCH CONNECTION

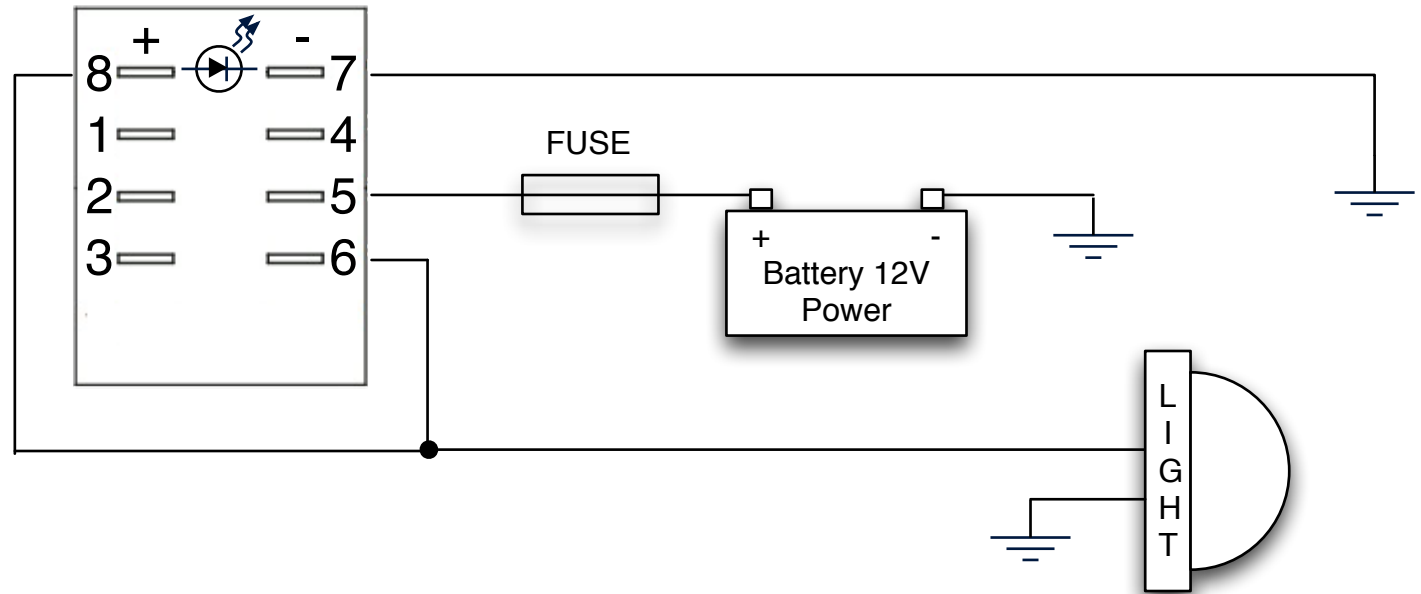
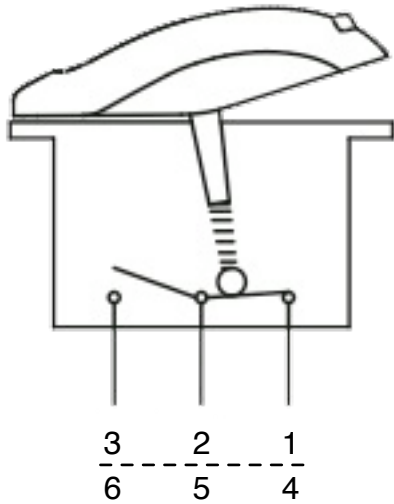


LED CONNECTION

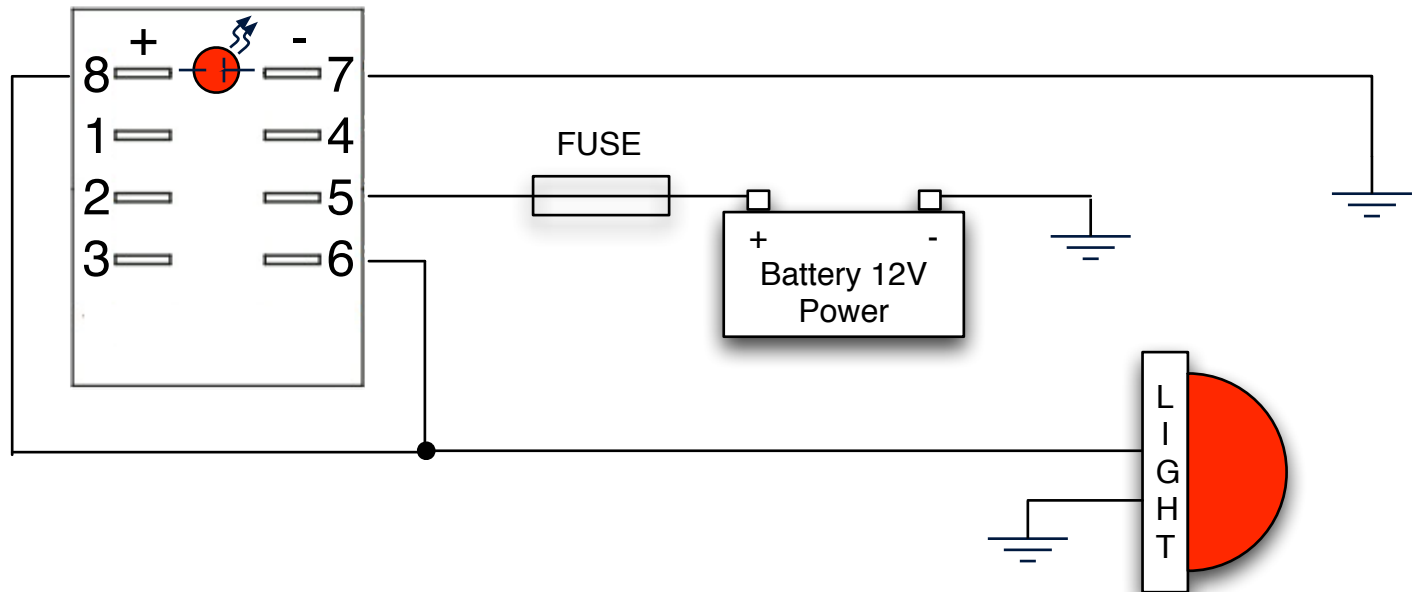
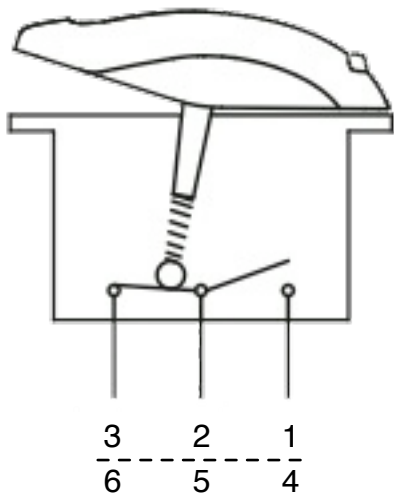


BASE SWITCH CONNECTION

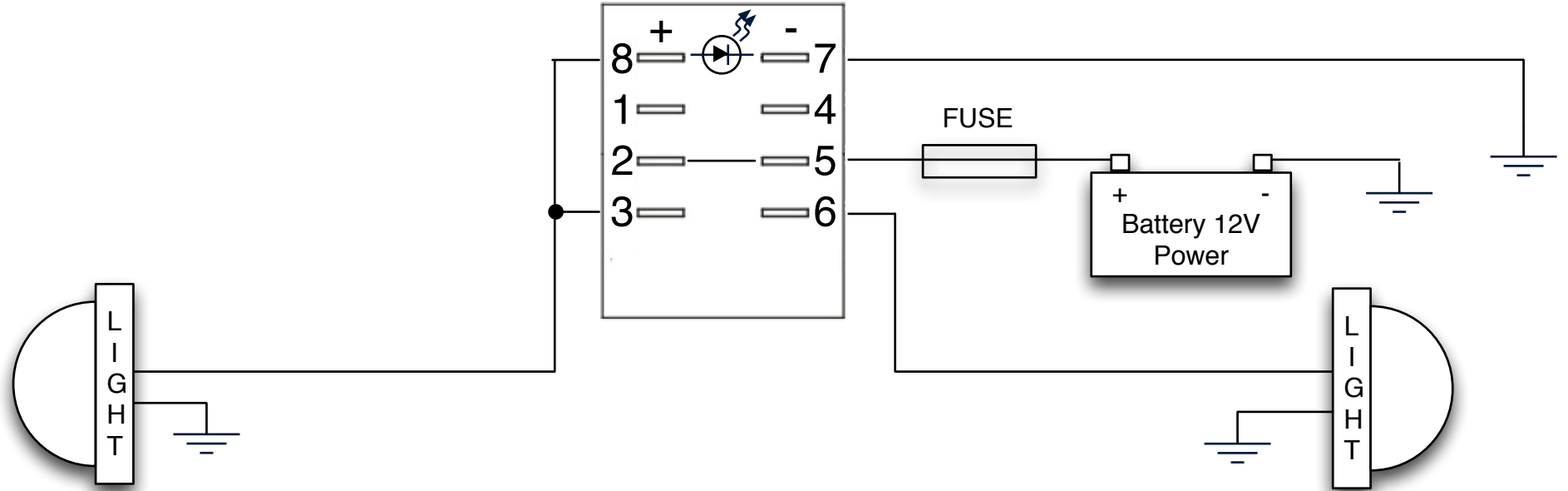
OFF



ON



EXTENDED SWITCH CONNECTION



RELAY FEEDBACK SWITCH CONNECTION

